

Rev.	Sym.	Q'TY	ICN/ECN NO	Changed by	Date
V1.0			the first release		

COMPANY CONFIDENTIAL

A

B

C

D

E

F

A

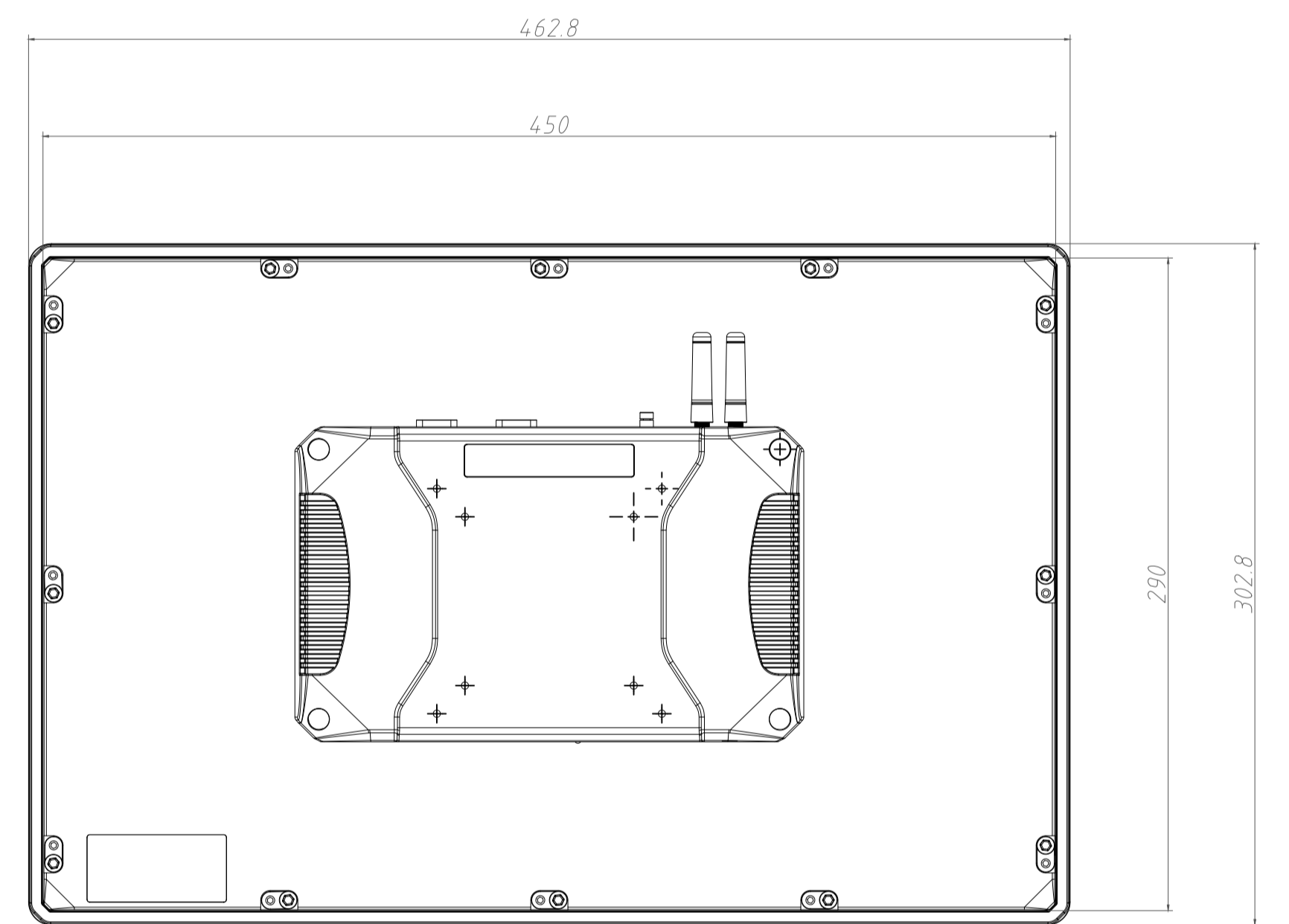
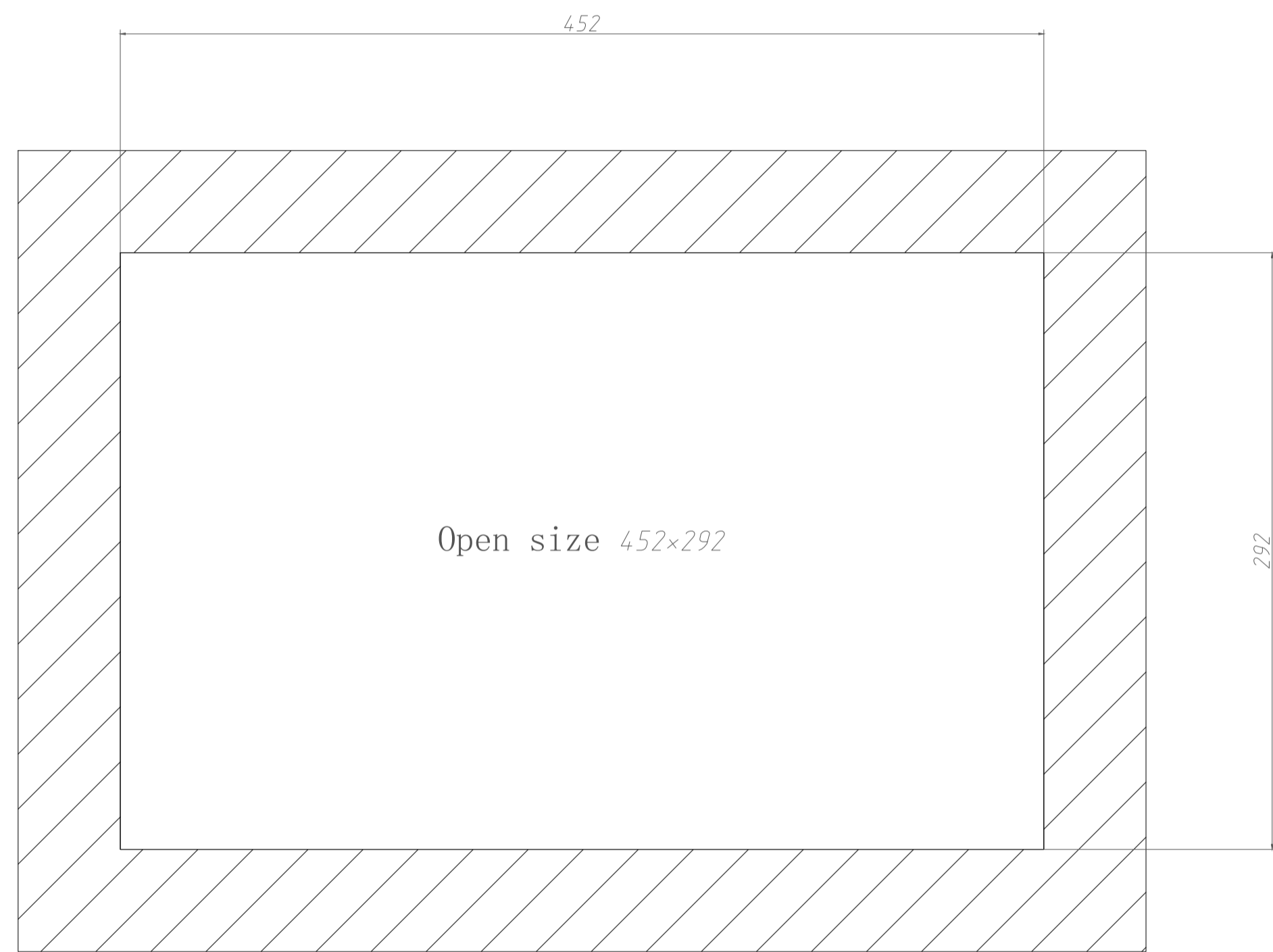
B

C

D

E

F



	PANELMATE Creative HMI Solution		Project Name :		Part Name			
	Design				Part No			
	Check				Material	See Notes	Size:	Scale: 1:1
	Approve				Process	See Notes	Unit: mm	Sheet: 1 of 1